



Precise • Reliable • Easy to Operate

## MODEL 6000 Metal Detector—Long Object Detector



The Tectron model 6000 detector was originally designed to detect roof bolts and rebar from underground mines. The exclusive double receiver antenna allows for the detection of small diameter rods and pipe while the oversize metal setting allows larger metal pieces to be detected as well. Rods should be a minimum of 24" (600mm) long to utilize the model 6000. Due to the unique function of the model 6000, it should only be used on conveyors with a single fixed belt speed.

Exclusively Distributed in Australia by  
**REAL TIME INSTRUMENTS**

[www.realtimetrp.com/rti](http://www.realtimetrp.com/rti)  
[rti@realtimetrp.com](mailto:rti@realtimetrp.com)

**RTI**  
REALtimeINSTRUMENTS



## FEATURES & BENEFITS

- **Single, Field Replaceable, Solid State plug-in Electronic Module:** Simple to service & maintain with interchangeable boards
- **Potentiometers for adjusting sensitivity:** Easy to operate
- **Function and metal indication LED's:** Ensures you always know the status of your metal detector
- **Self Test Circuits:** Simplifies troubleshooting by automatically diagnosing problem
- **Adjustable Frequency:** Frequency adjustment can eliminate airborne interference from motors, CB radios, and other external sources
- **Flexible Design & Programming:** Customized to meet unique application requirements
- **Rugged Fiberglass Reinforced Plastic frame & Antennas:** Able to withstand the harshest environments
- **Swing away Transmitter Antenna:** Reduces the likelihood of damage from large lumps and over-burdens
- **Three year warranty:** Ensures long life of reliable service

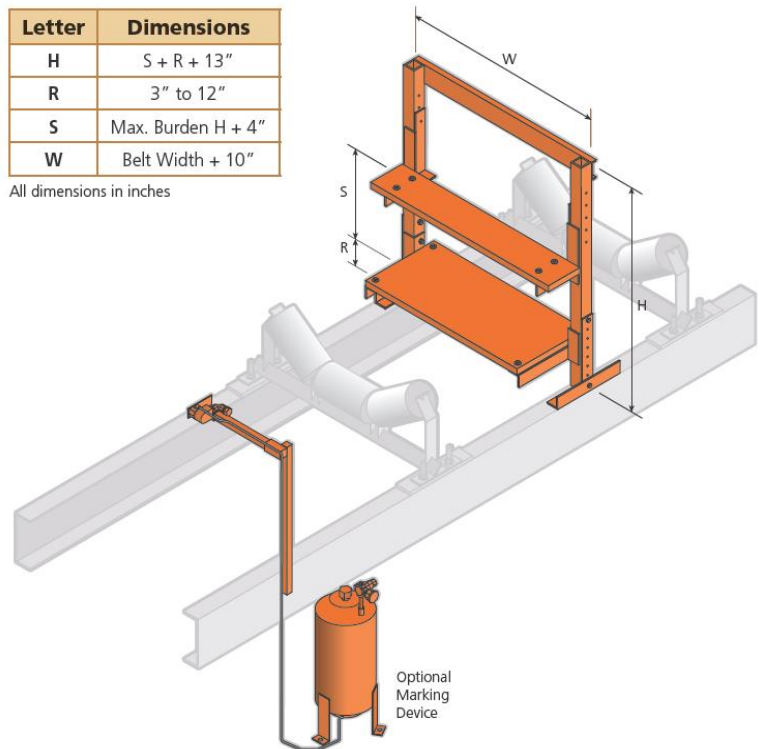
### Why Tectron Engineering?

Keeping production up and running is essential to your operation. Equipment damage caused by tramp metal not only costs you time and money in replacing damaged equipment, but most importantly it costs you production time. Tectron Metal Detectors are designed to protect expensive crushers, grinders, saws and other downstream equipment from metallic contaminants while minimizing false trips. Tectron offers a wide variety of detectors and sensitivities to choose from so you can be sure that you're getting the right detector for the application, all with a 3 year warranty. Manufacturing the most reliable metal detectors for bulk material handling is all we do, and with over 40 years experience, you can rely on the most trusted name in the industry.

Specifications	Values
<b>Sensitivity</b>	See Factory
<b>Electronics</b>	Field Replaceable Solid State Electronics
<b>Enclosure</b>	NEMA 4 (IP65) std. (4X, 7, 9 available)
<b>Interconnecting Cable</b>	25 feet (8m) standard
<b>Construction</b>	Fiberglass reinforced plastic frame with reinforced fiberglass antennas
<b>Input Voltage</b>	110/220VAC, 50/60Hz
<b>Power Requirements</b>	No Output Load—190 Watts Max Output Load—850 Watts
<b>Outputs</b>	Direct Output (Non-magnetic Metal Detect) – Switched Supply (Mains) Optional Timed output (Magnetic Metal Detect) - Switched Supply (Mains)
<b>Operating Temperature</b>	14 to 120° F (-10 to +50° C) - Extended temperature ranges on request

Letter	Dimensions
H	S + R + 13"
R	3" to 12"
S	Max. Burden H + 4"
W	Belt Width + 10"

All dimensions in inches



Exclusively Distributed in Australia by  
**REAL TIME INSTRUMENTS**

www.realtimegrp.com/rti  
rti@realtimegrp.com

Head Office (Mackay)  
PO Box 9117, Slade Point QLD 4740  
Ph: 07 49 555 944, Fax: 07 49 657 099

**RTI**  
REAL TIME INSTRUMENTS

Perth Office  
24 Brennan Way, Belmont, WA, 6104  
Ph: 08 9475 0099, Fax: 08 9475 0165

