



Precise • Reliable • Easy to Operate

Model 5500 E6 Metal Detector



Description

The Tectron® Model 5500 E6 is engineered to be the most sensitive pulse induction metal detector available. The Model 5500 E6 is typically used in food, glass & plastic recycling, wood chips & paper pulp applications which demand the highest possible sensitivity while remaining immune to moisture, salt and other product effects. It can be built to nearly any belt width, and is factory customized to fit your conveyor, and can be supplied as a flat-pack under-belt style detector. The modular design makes the Model 5500 E6 easy to install without the use of special tools, or the need to cut the belt, while the field replaceable electronics are easy to operate and maintain. The Model 5500 E6 is the model of choice for customers demanding the highest sensitivity, and trouble free operation.

Typical Applications

- **Food:** Product Quality Assurance
- **Recycling:** Grinder protection & Product Quality Assurance
- **Wood:** Protect Hogs and saws
- **Coal:** Protect Crushers

Features & Benefits

- **Single, Field Replaceable, Solid State plug-in Electronic Module:** Simple to service & maintain with interchangeable boards
- **Potentiometers for adjusting sensitivity:** Easy to operate
- **Function and metal indication LEDs:** Ensures you always know the status of your metal detector
- **Self Test Circuits:** Simplifies troubleshooting by automatically diagnosing problem
- **Adjustable Frequency:** Frequency adjustment can eliminate airborne interference from motors, CB radios, and other external sources
- **Flexible Design & Programming:** Customized to meet unique application requirements
- **Rugged Fiberglass Reinforced Plastic Frame and Antennas with Aluminum shield:** Able to withstand the harshest environments

Why Tectron Engineering?

Keeping production up and running is essential to your operation. Equipment damage caused by tramp metal not only costs you time and money in replacing damaged equipment, but most importantly it costs you production time. Tectron Metal Detectors are designed to protect expensive crushers, grinders, saws and other downstream equipment from metallic contaminants while minimizing false trips. Tectron offers a wide variety of detectors and sensitivities to choose from so you can be sure that you're getting the right detector for the application, all with a 3 year warranty. Manufacturing the most reliable metal detectors for bulk material handling is all we do, and with over 40 years experience, you can rely on the most trusted name in the industry.

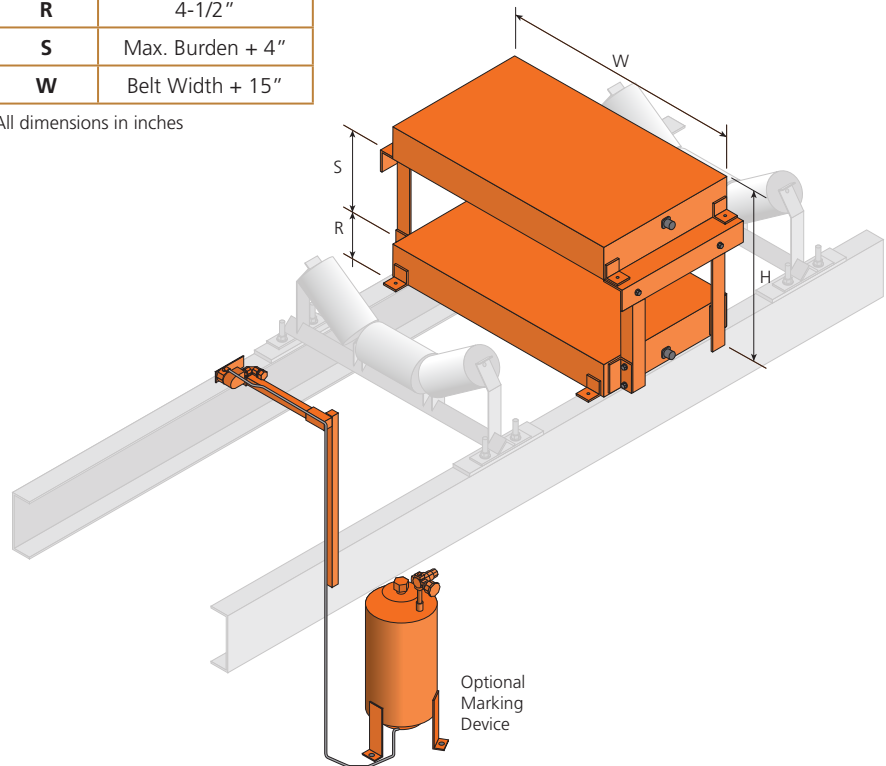
Product Specifications

Specifications	Values
Sensitivity	1.5% of Aperture height
Electronics	Field replaceable solid state electronics
Enclosure	NEMA 4 (IP65) standard (NEMA 4X, 7, 9 available)
Interconnecting Cable	5 feet (1.5m) standard
Construction	Fiberglass reinforced plastic frame with reinforced fiberglass antennas in 10ga Aluminum shield.
Input Voltage	110/220 VAC, 1ph, 50/60Hz
Power Required	No Output Load – 190 Watts Max. Output Load – 850 Watts
Outputs	Direct Output (Metal Detect) – Switched Supply (Mains) Voltage, Rated 9A Timed Output (Metal Detect) – Switched Supply (Mains) Voltage, Rated 9A
Operating Temperature	14° to 120°F (-10° to +50°C) (Extended temperature ranges available on request)

Product Drawing

Letter	Dimensions
H	S + R + 4-1/2"
R	4-1/2"
S	Max. Burden + 4"
W	Belt Width + 15"

All dimensions in inches



Exclusively Distributed in Australia by
REAL TIME INSTRUMENTS

www.realtimegrp.com/rti
rti@realtimegrp.com



Head Office (Mackay)
PO Box 9117, Slade Point QLD 4740
Ph: 07 49 555 944, Fax: 07 49 657 099

Perth Office
24 Brennan Way, Belmont, WA, 6104
Ph: 08 9475 0099, Fax: 08 9475 0165

