



Precise • Reliable • Easy to Operate

Model 50 Metal Detector



Description

The Tectron® Model 50 is engineered for installation on conveyor belts carrying coal, minerals, aggregates, and other bulk materials. The model 50 can be tuned to ignore conductive or magnetic ores such as magnetite and pyrite, even if they are carried by high tension, steel cord belts with rip detection loops, while still detecting small pieces of tramp metal. The model 50 is available in nearly any belt width, and can be field adjusted to fit most standard conveyor configurations. An adjustable aperture allows the model 50 to be modified for changing plant demands. The model 50 is also available as a flat-pack under-belt style detector. Lightweight construction makes it easy to assemble and install without special tools, or the need to cut the belt, and the field replaceable, microprocessor based controls are easy to operate and maintain. A self-test circuit activates a fault light and dry contact to alert the operator if there ever is a problem with the controls, so you'll never have to wonder if your detector is operating properly.

Typical Applications

- **Aggregate:** Protects Impact Crushers
- **Asphalt:** Protects Impact Crushers
- **Mining:** Protects Impact Crushers
- **Wood Chip:** Protects Hogs and Impact Crushers
- **Waste Wood:** Protects Hogs and Impact Crushers

Features & Benefits

- **Single, Field Replaceable, Microprocessor based controls:** Simple to service & maintain with interchangeable boards
- **32 digit LED display with bar graph for metal signal indication:** Easy to read and operate
- **Self Test circuit with Fault Alarm indication:** Simplifies troubleshooting by automatically diagnosing problem
- **Function, Metal and Fault indication LEDs:** Ensures you always know the status of your metal detector
- **EEPROM Stored system parameters:** System settings can be swapped between boards, no need to re-program
- **3-level password protection:** Prevents unauthorized access to key settings and functions
- **Adjustable Frequency:** Frequency adjustment can eliminate airborne interference from motors, CB radios, and other external sources
- **Rugged Fiberglass Reinforced Plastic frame & Antennas:** Able to withstand the harshest environments
- **Three year warranty:** Ensures long life of reliable service
- **Swing away Transmitter Antenna with optional roughing guard:** Reduces the likelihood of damage from large lumps and over-burdens
- **Optional RS232 / RS485 serial link to PC with "Event" logbook & time stamp:** Tracks metal detector performance and allows output to a PC for data analysis and archiving

Why Tectron Engineering?

Keeping production up and running is essential to your operation. Equipment damage caused by tramp metal not only costs you time and money in replacing damaged equipment, but most importantly it costs you production time. Tectron Metal Detectors are designed to protect expensive crushers, grinders, saws and other downstream equipment from metallic contaminants while minimizing false trips. Tectron offers a wide variety of detectors and sensitivities to choose from so you can be sure that you're getting the right detector for the application, all with a 3 year warranty. Manufacturing the most reliable metal detectors for bulk material handling is all we do, and with over 40 years experience, you can rely on the most trusted name in the industry.

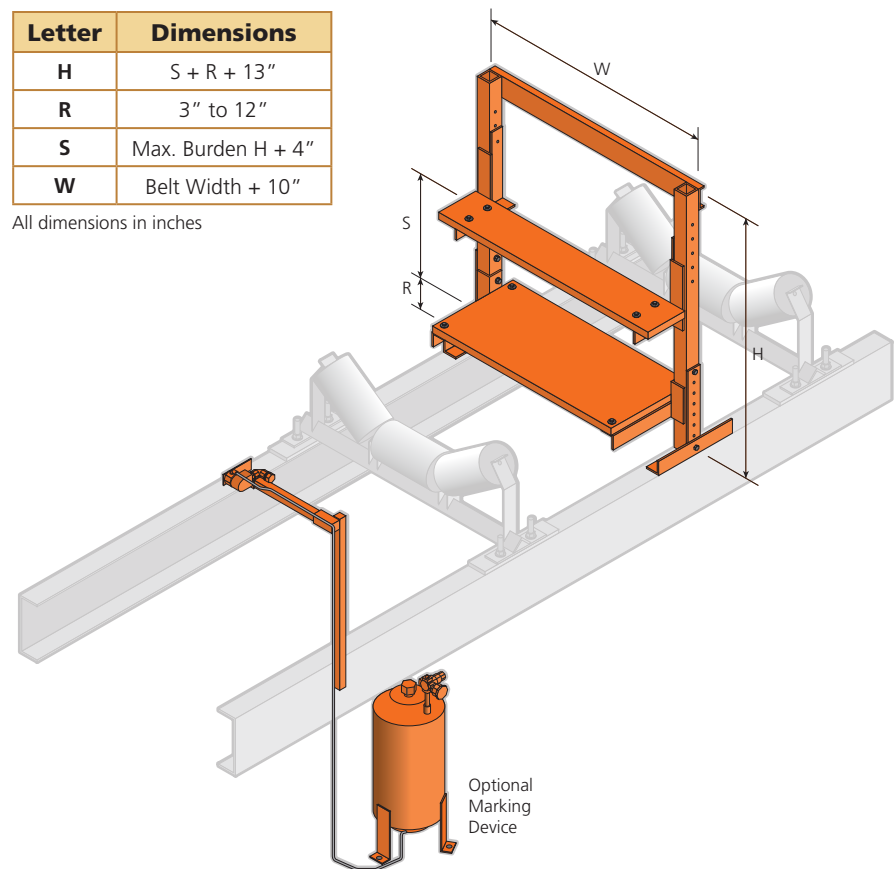
Product Specifications

Specifications	Values
Sensitivity	5% of Aperture height
Electronics	Field replaceable Microprocessor based
Enclosure	NEMA 4 (IP65) standard (NEMA 4X, 7, 9 available)
Interconnecting Cable	25 feet (7.6m) standard
Construction	Fiberglass Reinforced Plastic frame with reinforced fiberglass antennas.
Input Voltage	110/220 VAC, 1ph, 50/60Hz
Power Required	No Output Load – 35 Watts Max. Output Load – 990 Watts
Outputs	Direct Output (Metal Detect) – Dry Contact (SPDT) Rated 250VAC, 3A Timed Output (Metal Detect) – Dry Contact (SPDT) Rated 250VAC, 3A Fault Output – Dry Contact (SPDT) Rated 250VAC, 3A
Operating Temperature	14° to 120°F (-10° to +50°C) (Extended temperature ranges available on request)

Product Drawing

Letter	Dimensions
H	S + R + 13"
R	3" to 12"
S	Max. Burden H + 4"
W	Belt Width + 10"

All dimensions in inches



Exclusively Distributed in Australia by
REAL TIME INSTRUMENTS

www.realtimegrp.com/rti
rti@realtimegrp.com



Head Office (Mackay)
PO Box 9117, Slade Point QLD 4740
Ph: 07 49 555 944, Fax: 07 49 657 099

Perth Office
24 Brennan Way, Belmont, WA, 6104
Ph: 08 9475 0099, Fax: 08 9475 0165

