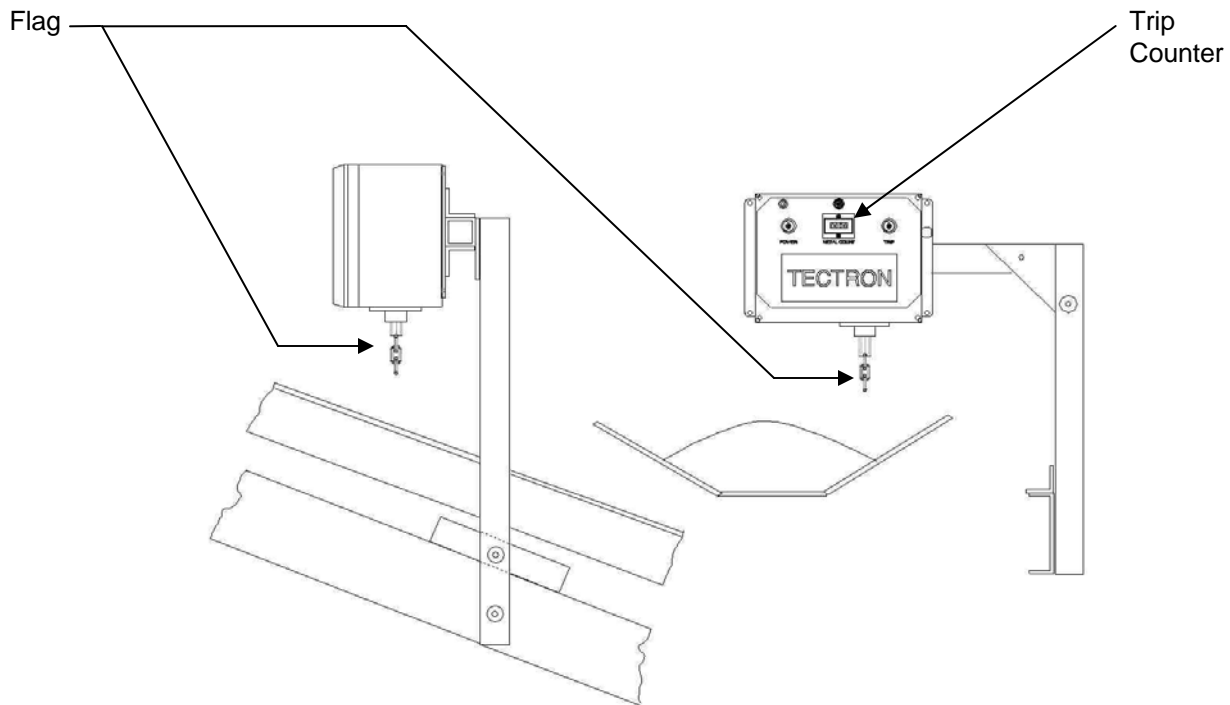




## FLAG DROP MARKER DATA SHEET

The flag drop marker is installed down stream from the metal detector and is used to mark the location of the metal on the belt. This will help the operator quickly locate the metal and allow production to continue with minimal downtime. When metal is sensed by the detector, a properly timed signal is sent to the flag drop marker, which releases the non-metallic “flag” onto the belt. The counter on the flag drop marker notes how many metal pieces were detected after the flag has been dropped, while the belt is coming to a stop, so the operator knows how many metal pieces he is looking for. This helps prevent metal from being missed by the operator. Once all the metal is removed from the belt, the operator re-inserts the flag into the assembly. When the flag is replaced the counter resets to zero and the metal detector is reset to allow the belt to be restarted.

- ***Highly visible, non-metallic flag makes locating metal easier***
- ***Totally self contained unit with NEMA 4X rating***
- ***Does not require compressed air or maintenance***
- ***Flags are re-usable***
- ***Unit comes with a set of 3 flags for replacement***
- ***Integrated trip counter to confirm the number of tramp metal pieces for operator to find***



Exclusively Distributed in Australia by  
**REAL TIME INSTRUMENTS**

[www.realtimetrp.com/rti](http://www.realtimetrp.com/rti)  
[rti@realtimetrp.com](mailto:rti@realtimetrp.com)

**RTI**  
REALtimeINSTRUMENTS